

WESTECH X600

Our products are designed to achieve high standards of quality while being affordable to all.

The X600 is the most versatile product of our range. This wind turbine was created to supply energy on every installation.

Innovative technologies make this model suitable for housing, yatching or for any appliances that need backup power.

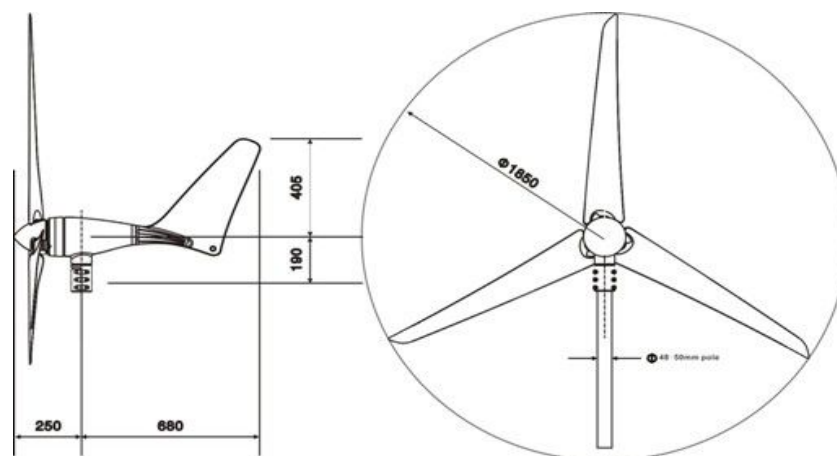


Features

- Low noise & vibration
- Low start-up wind speed
- High efficiency at low wind speed
- 600W rated power
- Lightweight
- Carbon fibre composite blades
- Aerodynamic body design
- High life span
- Maintenance-Free
- 3 years warranty

Recommended uses

- Backup power
- Housing
- Billboard advertising
- Monitoring station
- Wind/Solar hybrid project



Technical Specifications

Model	X-600
Rated Power	600 W
Max Power	700 W
Start-up Wind Speed	2 m/s
Rated Wind Speed	12,5 m/s
Survival Wind Speed	45 m/s
Output Voltage	48 V DC
Working Wind Speed	2 -20 m/s
Rotor Diameter	1,85 m
Material of Blades	Carbon Fiber Composite
Quantity of Blades	3 pcs
Speed Regulation	Automatically adjust the windward angle
Stop Method	Manual & electromagnetic brake
Range of Working Temperature	-45°C-60°C
Suggested System	12 V or 24V, 120 Ah x2
Net Weight /Gross weight/ Packing	15 kg /18 kg/ 98*56*26cm
Tower Type	Guy cable tower/6m

